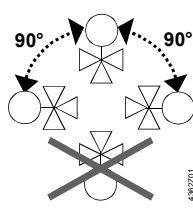


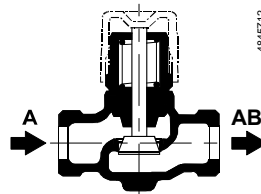
- de** Montageanleitung
- en** Mounting instructions
- fr** Instructions de montage
- sv** Monteringsinstruktion
- nl** Montage-handleiding
- it** Istruzioni di montaggio
- fi** Asennusohje
- es** Instrucciones de montaje
- da** Monteringsvejledning
- pl** Instrukcja montażu
- cz** Montážní návod
- hu** Szerelési útmutató
- el** Οδηγίες εγκατάστασης
- zh** 安裝指導

- Ventile PN16
- Valves PN16
- Vannes PN16
- Ventiler PN16
- Afsluiters PN16
- Valvole PN16
- Venttiilit PN16
- Válvulas PN16
- Ventiler PN16
- Zawory PN16
- Ventily PN16
- Szelepek PN16
- Βάνες PN16
- 阀门 PN16

V...P45...



VVP45.10-0.25...VVP45.25-6.3



4845Z12

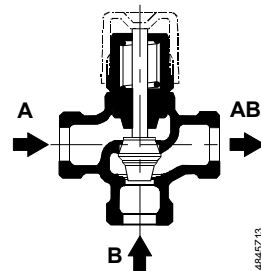


A → AB 0...100%

VVP45.25-10...VVP45.40-25



VXP45.10-0.25...VXP45.25-6.3



4845Z13

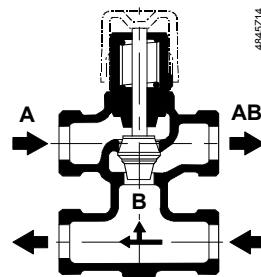


A → AB 0...100%  
B → AB 70...0%

VXP45.25-10...VXP45.40-25



VMP45.10-0.25...VMP45.20-4

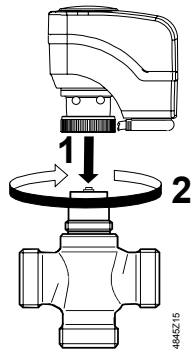


4845Z14



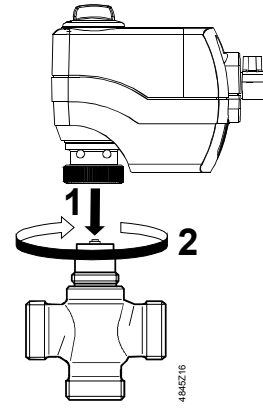
A → AB 0...100%  
B → AB 70...0%

V...P45... + SSB...



$k_{vs} \leq 6.3 \text{ m}^3/\text{h}$

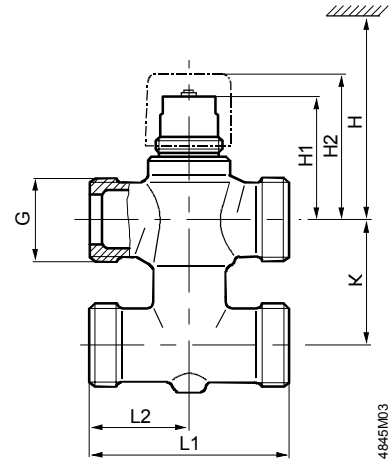
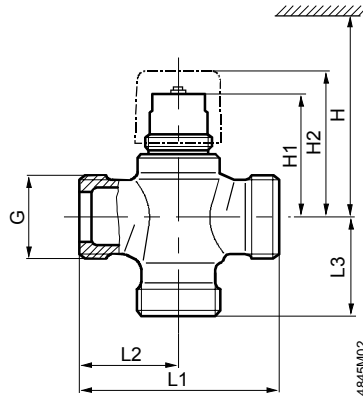
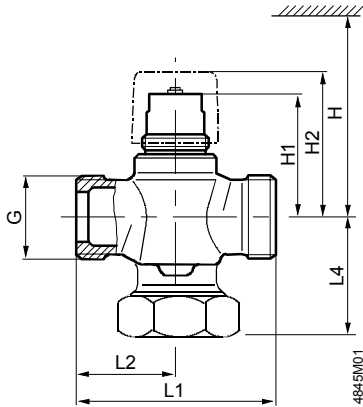
V...P45... + SSC...



VVP45...

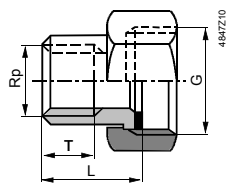
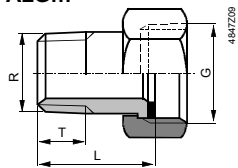
VXP45...

VMP45...

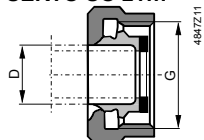


	DN	G	H	H1	H2	L1	L2	L3	L4	K	kg [kg]		
		["]	[mm]	[mm]	[mm]	[mm]	[mm]	[mm]	[mm]	[mm]	VVP...	VXP...	VMP...
V...P45.10-0.25...1.6	10	G½B	> 200	44.9	≈ 54	60	30	30	20	40	0.26	0.28	0.36
V...P45.15-2.5	15	G¾B		44.9	≈ 54	65	32.5	32.5	20	40	0.30	0.34	0.46
V...P45.20-4	20	G1B		48.9	≈ 58	80	40	40	24	50	0.42	0.48	0.64
VVP45.25-6.3 / VXP45.25-6.3	25	G1¼B	> 280	51	≈ 60	80	40	40	49		0.76	0.64	
VVP45.25-10 / VXP45.25-10	25	G1½B		62.5	≈ 71	105	52.5	52.5	62.5		1.46	1.29	
VVP45.32-16 / VXP45.32-16	32	G2B		69	≈ 78	105	52.5	52.5	63.5		1.95	1.70	
VVP45.40-25 / VXP45.40-25	40	G2¼B		72	≈ 81	130	65	65	76		2.75	2.40	

ALG...



SERTO SO 21...



ALG...		DN	G ["]	R ["]	Rp ["]	L [mm]	T [mm]	SERTO SO 21...	D [mm]
ALG132	VVP45.10-0.25...1.6	10	G½	R¾		≈ 24	≈ 9	SO 21-12-1/2" SO 21-14-1/2" SO 21-15-1/2"	12 14 15
ALG133	VXP45.10-0.25...1.6								
2 x ALG132	VMP45.10-0.25...1.6								
ALG142	VVP45.15-2.5	15	G¾	R½		≈ 29.5	≈ 12	SO 21-17-3/4" SO 21-18-3/4"	17 18
ALG143	VXP45.15-2.5								
2 x ALG142	VMP45.15-2.5								
ALG152	VVP45.20-4	20	G1			≈ 23	≈ 13		
ALG153	VXP45.20-4								
2 x ALG152	VMP45.20-4								
ALG202	VVP45.25-6.3	25	G1¼			≈ 25	≈ 15		
ALG203	VXP45.25-6.3								
ALG252	VVP45.25-10								
ALG253	VXP45.25-10	32	G1½			≈ 27	≈ 17		
ALG322	VVP45.32-16								
ALG323	VXP45.32-16								
ALG402	VVP45.40-25	40	G2¼			≈ 32	≈ 19		
ALG403	VXP45.40-25								